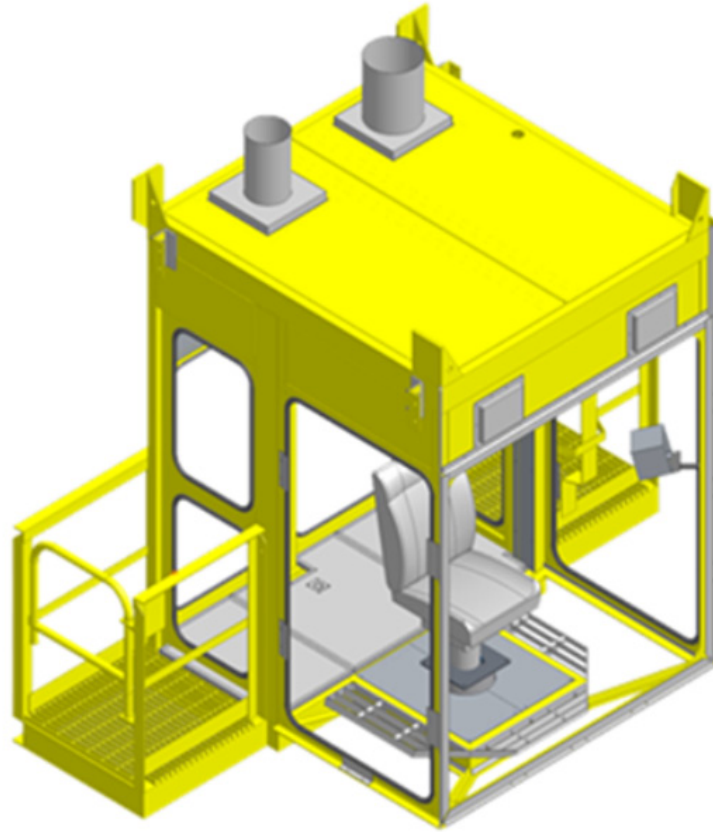


Crane Cabin Design

Client: Bluescope Steel

ideas^o
smart thinking



ideas* has designed and built replacement crane cabins and DC-AC control conversion for BlueScope Steel since 2002.

The cabins feature 25mm thick glass floor panels giving the operator greatly improved visibility.

The custom designed ideas* air bag suspension seat gives the operator 320 degree movement and improved comfort.

The cabins are also ducted with air conditioning for improved operator comfort.



A completed cabin ready for transport.